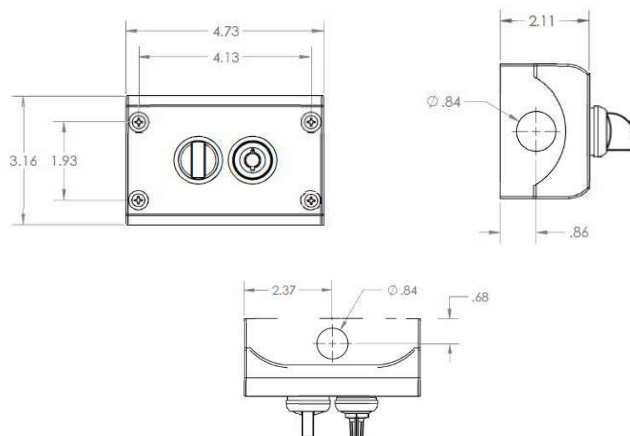


MacroAir Controllers - Analog Remote



- Available for Z Series only
- Controls 1 fan
- Simple and intuitive variable speed control



Features	Analog Remote
Item #	30-90301-00
# Fans Controlled	1 fan
Display	2.8 TFT
Rating	IP 65
Weight (incl. enclosure)	375 g
Communication Protocol	0-10V
Size (incl. enclosure)	91.2 x 135.5 x 42.0
Operating Temperature	16° to 158°F / -10° to +70°C
Storage Temperature	-22° to 176°F / -30° to +80°C