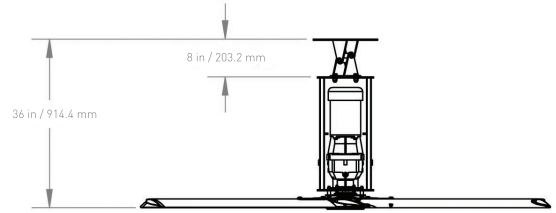


Z Series



STANDARD FEATURES

- Clearcoat anodized airfoil blades
- Forward, reverse, variable speed
- Variable frequency drive- basic fire alarm integration
- Analog remote for one-to-one fan control
- Safety Components: Safety Cable, Universal Mount with Guy Wires, Blade Retainer Links



STEP 1: DIAMETERS

Item #	Diameter	Motor Horsepower	Qty
MZ08-0100-MA	8 ft / 2.44 m	1.0 HP	
MZ10-0100-MA	10 ft / 3.05 m	1.0 HP	
MZ12-0100-MA	12 ft / 3.66 m	1.0 HP	
MZ14-0100-MA	14 ft / 4.27 m	1.0 HP	
MZ16-0100-MA	16 ft / 4.88 m	1.0 HP	
MZ18-0100-MA	18 ft / 5.49 m	1.0 HP	
MZ20-0150-MA	20 ft / 6.07 m	1.5 HP	
MZ24-0200-MA	24 ft / 7.32 m	2.0 HP	

STEP 2: VOLTAGE

Item #	Voltage Options	Qty
1xx1-MA	100-120V Single Phase, 50/60 Hz	
2xx1-MA	208-240V Single Phase, 50/60 Hz	
2xx3-MA	208-240V Three Phase, 50/60 Hz	
4xx3-MA	480V Three Phase, 50/60 Hz	
6xx3-MA	600V Three Phase, 50/60 Hz	

xx=horsepower

STEP 3: MOUNTING

Item #	Mount Options	Qty
60-90006-00	Series Universal Mount: I-beam Hardware Kit	
60-40041-00	Glulam Hardware Kit (for AirVolution Universal Mount)	

STEP 4: CONTROLS

Item #	Description	Qty
30-90301-00	Analog Remote Assembly	

Z Series

OPTIONAL: EXTENSIONS

Item #	Length (ft/in)	Length (m)	Qty
50-80100-02	1 ft	0.30 m	
50-80200-02	2 ft	0.61 m	
50-80300-02	3 ft	0.91 m	
50-80400-02	4 ft	1.22 m	
50-80500-02	5 ft	1.52 m	
50-80600-02	6 ft	1.82 m	
50-80700-02	7 ft	2.13 m	
50-80800-02	8 ft	2.44 m	
50-80900-02	9 ft	2.74 m	

Most extensions are built to order. Please order the necessary extension length at the same time that you order the fans.

To order Drop Length greater than 10 ft please call MacroAir.

OPTIONAL: POWDER COATING

Item #	Diameter	Estimated Lead Time	Qty
60-10008-02	8 ft / 2.44 m	15 business days	
60-10010-02	10 ft / 3.05 m	15 business days	
60-10012-02	12 ft / 3.66 m	15 business days	
60-10014-02	14 ft / 4.27 m	15 business days	
60-10016-02	16 ft / 4.88 m	15 business days	
60-10018-02	18 ft / 5.49 m	15 business days	
60-10020-02	20 ft / 6.07 m	15 business days	
60-10024-02	24 ft / 7.32 m	15 business days	
Special Blades Finishes			
Hub Cover	All Diameters	15 business days	

For powder coating colors, please refer to Appendix A.

Do you have a custom color in mind? Custom powder coating is available for all our blades, mounts and drop lengths.

ADDITIONAL OPTIONS

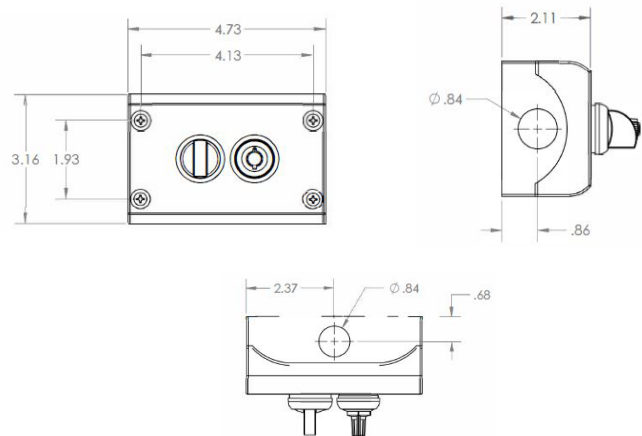
Item #	Description	Qty
-FD	Food-Grade / Stainless Steel - 1.0 HP*	
-EX	Explosion Proof Motor -1.0 HP*	

*Only Available for 8ft-18ft

Z Series



- Works with all MacroAir fan models
- Controls 1 fan
- Simple and intuitive control



Features	Analog Remote
Item #	30-90301-00
# Fans Controlled	1 fan
Display	2.8 TFT
Rating	IP 65
Weight (incl. enclosure)	375 g
Communication Protocol	0-10V
Size (incl. enclosure)	91.2 x 135.5 x 42.0
Operating Temperature	16° to 158°F / -10° to +70°C
Storage Temperature	-22° to 176°F / -30° to +80°C

Z Series

BASIC SPECIFICATIONS

AIRFOIL DIAMETER	8ft	10ft	12ft	14ft	16ft	18ft	20ft	24ft
Airfoil Style	7.375" Extruded Anodized Aluminum Airfoil							
Number of Airfoils	6							
PERFORMANCE								
Max Speed	202 RPM	162 RPM	129 RPM	103 RPM	84 RPM	70 RPM	70 RPM	62 RPM
Recommended Spacing*	50 ft [15.2 m]	60 ft [18.3 m]	65 ft [19.8 m]	70 ft [21.3 m]	85 ft [25.9 m]	90 ft [27.4 m]	100 ft [30.5 m]	110 ft [33.5 m]
Max Affected Area	3,600 ft ² [336 m ²]	6,000 ft ² [557 m ²]	8,000 ft ² [743 m ²]	10,000 ft ² [929 m ²]	12,000 ft ² [1,115 m ²]	14,000 ft ² [1,301 m ²]	18,000 ft ² [1,673 m ²]	20,000 ft ² [1,858 m ²]
Sound Level dBA at Max Speed**	58	58	58	58	58	58	61	61
HANGING REQUIREMENTS								
Hanging Weight	171 lbs [77.56 Kg]	178 lbs [80.74 Kg]	189 lbs [85.73 Kg]	195 lbs [88.45 Kg]	202 lbs [91.63 Kg]	208 lbs [94.35 Kg]	217 lbs [98.43 Kg]	270 lbs [122.5 Kg]
Max Torque	18 lbf/ft [24 Nm]	24 lbf/ft [33 Nm]	31 lbf/ft [42 Nm]	43 lbf/ft [58 Nm]	40 lbf/ft [54 Nm]	58 lbf/ft [79 Nm]	88 lbf/ft [119 Nm]	126 lbf/ft [171 Nm]
Max Thrust in Reverse	4 lbs [1.8 kg]	6 lbs [2.7 kg]	9 lbs [4.1 kg]	14 lbs [6.4 kg]	15 lbs [6.8 kg]	21 lbs [9.5 kg]	31 lbs [14.1 kg]	44 lbs [20 kg]
MOTOR AND DRIVE TRAIN								
Motor Type	AC induction Motor with a sealed 2-stage helical gear box							
Equivalent Horsepower Rating	1.0 HP (8-18ft) / 1.5 HP (20ft) / 2.0 HP (24ft)							
Operating Temp Range	16°F [-10C°] - 104 F° [40C°]							
MAX AMP DRAW								
100-120V Single Phase							N/A	N/A
208-240V Single Phase	16.6A							
08-240V Three Phase	20.2A							
480V Three Phase	10.8A							
600V Three Phase	4.3A							
	2A						N/A	N/A
POWER AND CONTROLS								
Power Source	Single Phase 100-120 VAC / Single Phase 208-240 VAC / Three Phase 208-240 VAC / Three Phase 480 VAC / Three Phase 600 VAC 50/60 Hz							
Control Options	Analog Remote							
INSTALLATION								
Mounting Hardware	AirVolution Universal Mount							
Extension	Optional extensions are available in 1ft increments; all drop lengths require guy wires							
RATINGS AND COMPLIANCE								
Fire and Sprinkler	NFPA Compliant							
Wash Down Duty Rating***	IP55							
Certifications	UL 507							

*For spacing between fan units based on the dimensions of a specific space please refer to <https://macroairfans.com/airviz>.

**Sound testing taken with the sensor 5 ft above the ground and 20 ft from the center of the fan at 20 ft high.

***Applicable to the fan unit only, does not include controller and control panel.

Fan Placement & Clearance

