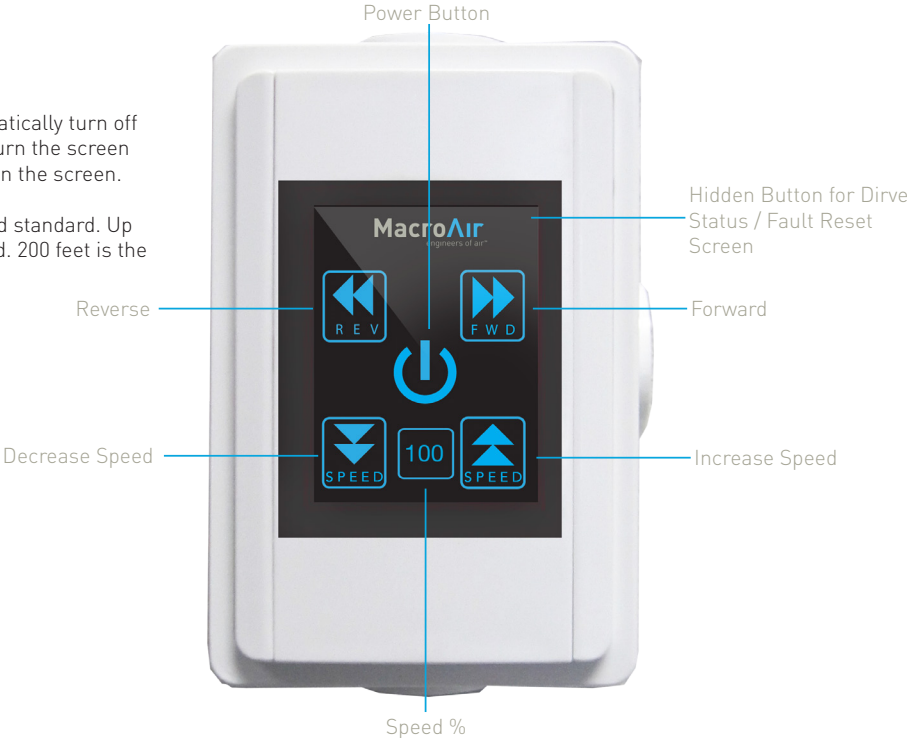


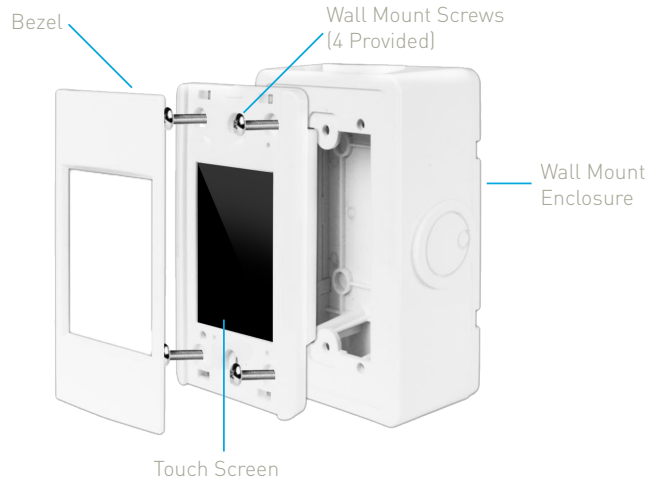
TOUCHPAD REMOTE USER INTERFACE

The Touchpad Remote will automatically turn off after 30 seconds of inactivity. To turn the screen back on, simply touch anywhere on the screen.

100 feet of CAT5e cable is provided standard. Up to 200 feet of cable can be ordered. 200 feet is the maximum distance allowed.

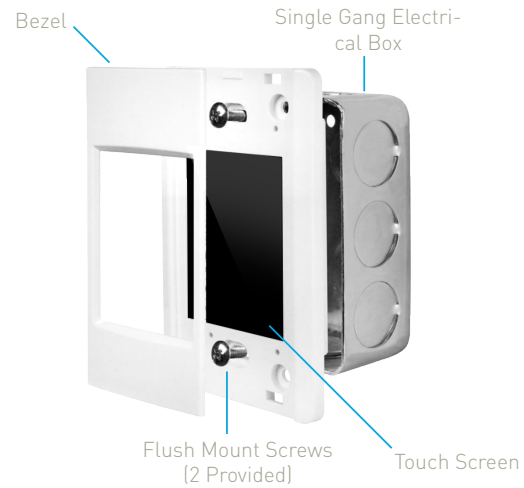


TOUCHPAD REMOTE INSTALLATION



Wall Mounting (Provided)

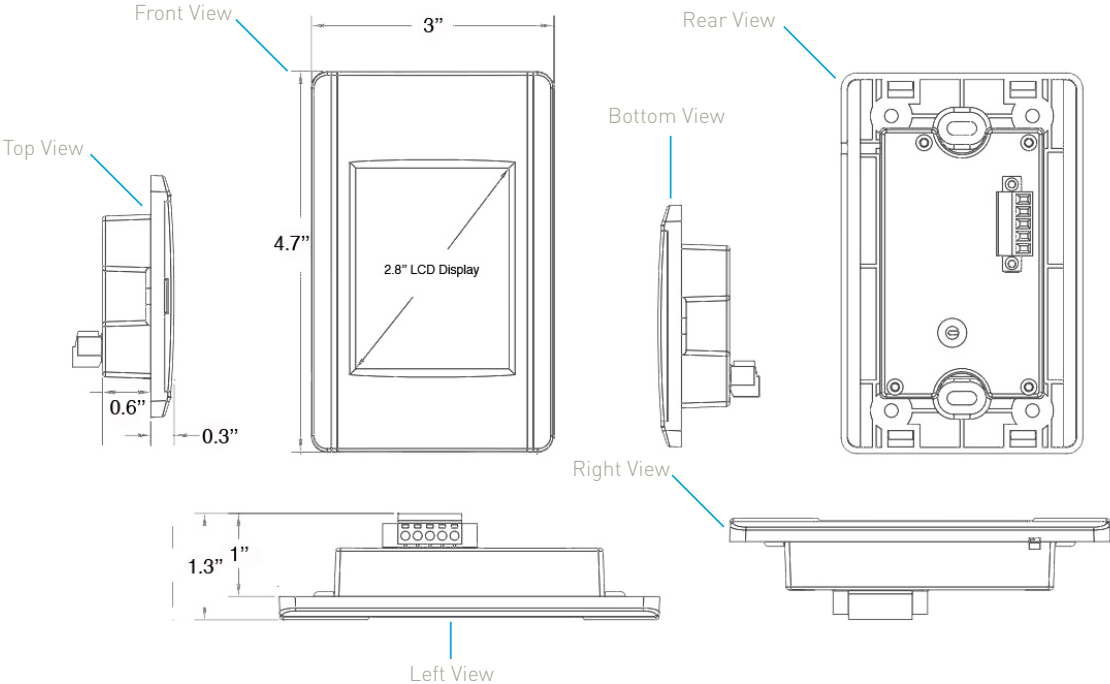
1. Mount the base plate of the enclosure to the wall using the 4 provided wall anchors and screws.
2. Snap the front of the enclosure to the base plate.
3. Plug in the pre-wired CAT5E cable from the screen into the RJ45 coupler inside the enclosure.
4. Secure the touch screen to the enclosure using the 4 provided screws.
5. Lock the provided bezel into place via the plastic tabs.
6. Plug the provided CAT5E cable from the fan into the RJ45 on the outside of the enclosure.



Flush Mounting (Not Provided)

1. Install the single gang electrical box (not provided).
2. Run the provided CAT5E cable from the fan into the single gang electrical box.
3. Plug the remote cable into the pre-wired CAT5E cable from the screen using the provided RJ45 coupler.
4. Secure the touch screen to the enclosure using the 2 provided screws.
5. Lock the provided bezel into place via the plastic tabs.

TOUCHPAD REMOTE LCD DISPLAY



TOUCHPAD REMOTE ENCLOSURE

